

Preformed Shower Components

Offering a full line of products for your shower project needs



ProSpec

The professionally specified brand of tile and stone installation systems. With over 50 years of experience in the industry, we have a proven track record of providing project solutions that you can trust.

Confidence

A full line of products from a single trusted brand.

Protection

Superior waterproofing solutions and grouts that contain exclusive Micro Defense® technology to protect against mold and mildew.

Speed & Ease

Easy to install preformed products, along with easy to mix grouts and mortars, for fast and easy installation.

ProSpec Preformed Shower Com Niches, Curbs, Shower Seats, and Slopes

Easy to install. Simple to measure. Cut, place and fasten in minutes—not hours. The single-piece, waterproof construction won't leak or require ongoing caulking maintenance. These preformed products, when used along with the complete line of ProSpec tile installation products, result in a water-tight shower system.

Niches

- In-wall design allows them to be tiled with the same tile as the surrounding walls
- Higher density foam construction eliminates water absorption
- Won't leak or allow condensation to build up inside the wall
- Coated with a waterproof membrane that meets ANSI A118.10 and has IAPMO approval



PF-306
Rectangular
21" H x 12" W*
#65466013



PF-304
Wide Combo
21" H x 12" W*
#65466011



PF-309
Medium Combo
21" H x 8" W*
#65466016



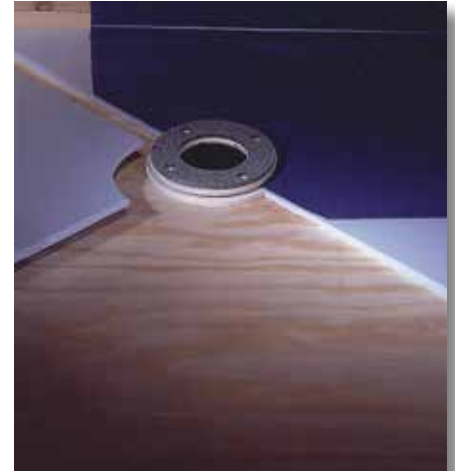
PF-305
Narrow Combo
21" H x 6" W*
#65466012



PF-301
Square
12" H x 12" W*
#65466001

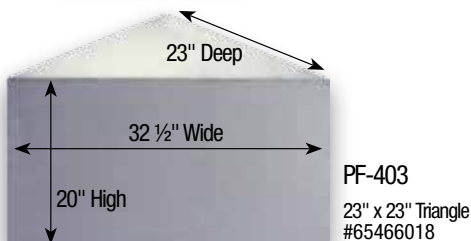
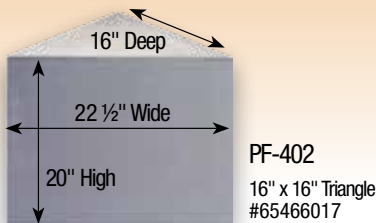
* NOTE: All nominal dimensions are of the interior cavity. All niches are designed for 16" oc walls.

Components Provide a Family of Trusted Solutions



Shower Seats

- Easy installation
- Made of high-density materials and contains no wood or cellulose fibers
- Waterproof and lightweight

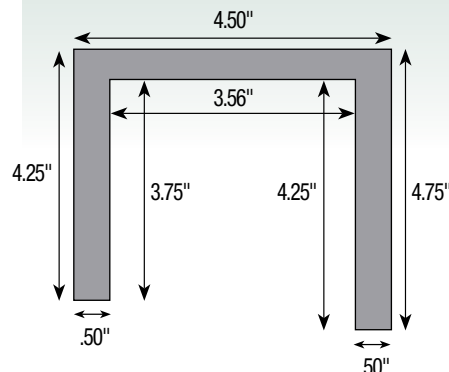


NOTE: Seats hold 28.5 lb per sq in or 4,100 lb per sq ft.

Curbs

- Ideal for use with PVC pan liners
- Watertight and durable, substrate suitable for all varieties of tile
- Manufactured to allow for the industry "pre-slope" required under all shower pans

PF-201 PF-202
4' Length 8' Length
#65466005 #65466006



Slopes

- Adheres to the tile industry specific 1/4" sloped fill and complies with the guidelines noted in the Tile Council of North America Handbook
- Excellent for cut-to-fit site applications
- Allows you to install the pan liner, mortar bed and tile in one day
- Essential for proper mortar bed drainage which helps reduce the growth of mold

PF-102
24" x 48"
Tapered 3/4" to 1/4"
Standard Dimension
#65466002

NOTE: It is the user's responsibility to ensure waterproofness prior to tiling.

Family of Trusted Solutions

Offering a full line of products for your shower project needs

ProSpec B-6000 Waterproof / Crack Isolation Membrane

Advanced latex, polymer-based technology that provides a thin, waterproof membrane underlayment. When used with B-6000 mesh it creates a crack isolation membrane.



Floor Mud

Portland cement-based thick bed mortar designed for floor and shower receptors. When mixed to a dry consistency, ProSpec Floor Mud allows maximum compaction during tamping.



ProSpec Tile Setting Mortar

Offering a full line of modified and unmodified portland cement-based tile setting mortars.



ProSpec ProColor Grouts

Polymer-modified grouts that are mold and mildew resistant. Available in sanded and unsanded.



ProSpec ProColor Advantage Caulk

Caulk and adhesive that is color and textured matched to ProColor grouts. Cures in wet environments.



- 1 ProSpec Preformed Components
- 2 ProSpec B-6000
- 3 ProSpec B-6000 Mesh
- 4 ProSpec Floor Mud
- 5 ProSpec Thin Set
- 6 ProSpec ProColor Grouts
- 7 ProSpec Caulk