

# Preformed Shower Components

Offering a full line of products for your shower project needs



## ProSpec®

The professionally specified brand of tile and stone installation systems. With over 50 years of experience in the industry, we have a proven track record of providing project solutions that you can trust.

## Confidence

A full line of products from a single trusted brand.

## Protection

Superior waterproofing solutions and grouts that contain exclusive Micro Defense® technology to protect against mold and mildew.

## Speed & Ease

Easy to install preformed products, along with easy to mix grouts and mortars, for fast and easy installation.

# ProSpec® Preformed Shower Components Niches, Curbs, Shower Seats, and Slopes

Easy to install. Simple to measure. Cut, place and fasten in minutes—not hours. The single-piece, waterproof construction won't leak or require ongoing caulking maintenance. These preformed products, when used along with the complete line of ProSpec® tile installation products, result in a water-tight shower system.

## Niches

- In-wall design allows them to be tiled with the same tile as the surrounding walls
- Higher density foam construction eliminates water absorption
- Won't leak or allow condensation to build up inside the wall
- Coated with a waterproof membrane that meets ANSI A118.10 and has IAPMO approval



PF-306  
Rectangular  
21" H x 12" W\*  
#65466013



PF-304  
Wide Combo  
21" H x 12" W\*  
#65466011



PF-309  
Medium Combo  
21" H x 8" W\*  
#65466016



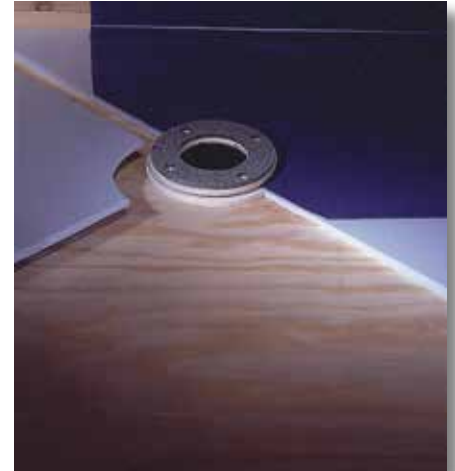
PF-305  
Narrow Combo  
21" H x 6" W\*  
#65466012



PF-301  
Square  
12" H x 12" W\*  
#65466001

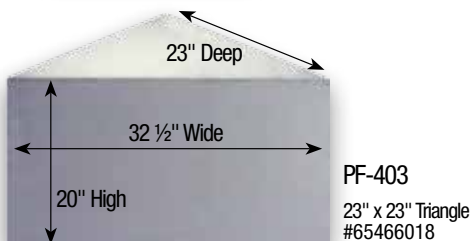
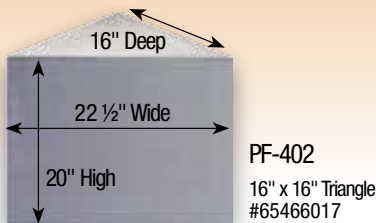
\* NOTE: All nominal dimensions are of the interior cavity. All niches are designed for 16" oc walls.

## Components Provide a Family of Trusted Solutions



### Shower Seats

- Easy installation
- Made of high-density materials and contains no wood or cellulose fibers
- Waterproof and lightweight

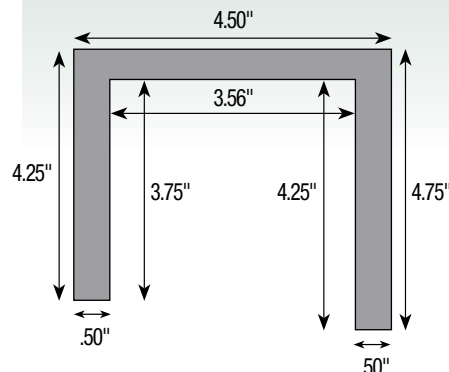


NOTE: Seats hold 28.5 lb per sq in or 4,100 lb per sq ft.

### Curbs

- Ideal for use with PVC pan liners
- Watertight and durable, substrate suitable for all varieties of tile
- Manufactured to allow for the industry “pre-slope” required under all shower pans

PF-201      PF-202  
 4' Length      8' Length  
 #65466005      #65466006



### Slopes

- Adheres to the tile industry specific ¼" sloped fill and complies with the guidelines noted in the Tile Council of North America Handbook
- Excellent for cut-to-fit site applications
- Allows you to install the pan liner, mortar bed and tile in one day
- Essential for proper mortar bed drainage which helps reduce the growth of mold

PF-102  
 24" x 48"  
 Tapered ¾" to ¼"  
 Standard Dimension  
 #65466002

NOTE: It is the user's responsibility to ensure waterproofness prior to tiling.

## Family of Trusted Solutions

Offering a full line of products for your shower project needs



### ProSpec® B-6000 Waterproof / Crack Isolation Membrane

Advanced latex, polymer-based technology that provides a thin, waterproof membrane underlayment. When used with B-6000 mesh it creates a crack isolation membrane.



### Floor Mud

Portland cement-based thick bed mortar designed for floor and shower receptors. When mixed to a dry consistency, ProSpec® Floor Mud allows maximum compaction during tamping.



### ProSpec® Tile Setting Mortar

Offering a full line of modified and unmodified portland cement-based tile setting mortars.



### ProSpec® ProColor Grouts

Polymer-modified grouts that are mold and mildew resistant. Available in sanded and unsanded.

### ProSpec® ProColor Advantage Caulk

Caulk and adhesive that is color and textured matched to ProColor grouts. Cures in wet environments.



- 1 ProSpec® Preformed Components
- 2 ProSpec® B-6000
- 3 ProSpec® B-6000 Mesh
- 4 ProSpec® Floor Mud
- 5 ProSpec® Thin Set
- 6 ProSpec® ProColor Grouts
- 7 ProSpec® Caulk